

# Model 8011-01 & 8012-01 Accelerometer



EMI Shielded Industrial Accelerometer  
16kHz Bandwidth  
-55°C to +125°C Operating Range  
Top Exit Connector or Integral Cable



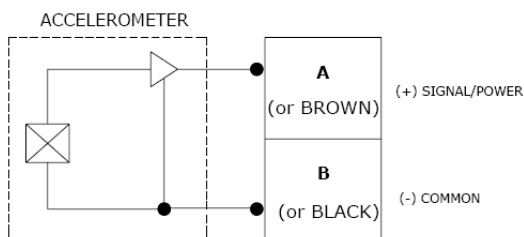
The Model 8011-01 & 8012-01 are internally shielded rugged IEPE accelerometers designed for harsh environments. The accelerometers are available in  $\pm 10g$ ,  $\pm 80g$  &  $\pm 500g$  dynamic ranges and have a flat bandwidth up to greater than 16kHz. The model 8011-01 features a top exit MIL-C-5015 connector while the model 8012-01 features an integral cable. The units are hermetically sealed and are designed to operating in temperature ranges from -55°C to +125°C.

## FEATURES

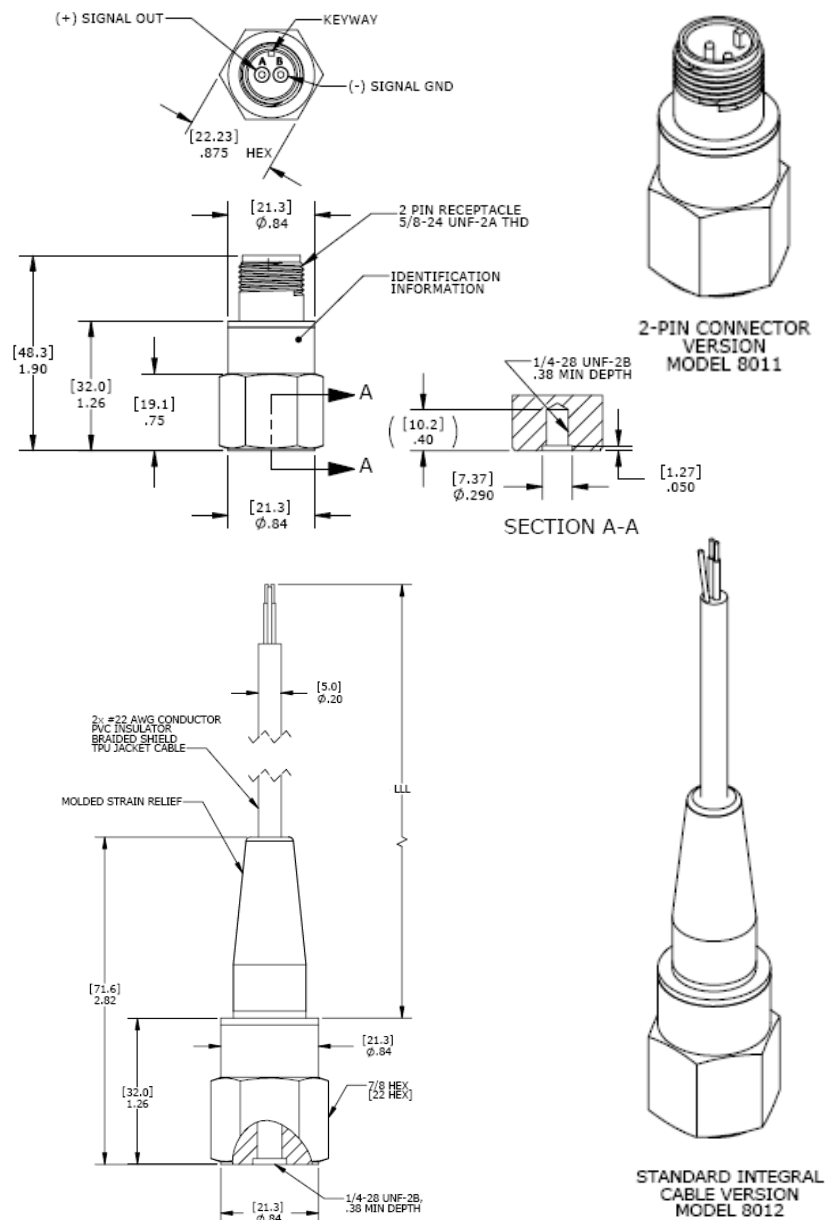
- $\pm 10g$ ,  $\pm 80g$  &  $\pm 500g$  Dynamic Ranges
- Wide bandwidth up to 16kHz
- Case Isolated, Internally Shielded
- Hermetically Sealed, Welded
- Annular Shear Mode
- Reverse Wiring Protection
- Stable Temperature Response

## APPLICATIONS

- General Purpose
- Machine Monitoring
- Industrial Applications
- Harsh Environments
- Gearbox Monitoring



## dimensions



# Model 8011-01 & 8012-01 Accelerometer

## performance specifications

All values are typical at +24°C, 100Hz and 4mA excitation unless otherwise stated. Measurement Specialties reserves the right to update and change these specifications without notice. Standard product parameters are described in PSC-1003 for Plug & Play AC Accelerometers.

### Parameters

#### DYNAMIC

	±10	±80	±500	Notes
Range (g)	±10	±80	±500	
Sensitivity (mV/g)	500	100	10	±10%
Frequency Response (Hz)	1-4000	1-10000	1-10000	±10%
Frequency Response (Hz) <sup>2</sup>	0.5-7000	0.5-16000	0.5-18000	±3dB
Natural Frequency (Hz)	28000	32000	42000	
Non-Linearity (%FSO)	±1	±1	±1	
Transverse Sensitivity (%)	<5	<5	<5	
Shock Limit (g)	5000	5000	5000	

#### ELECTRICAL

Compliance Voltage (Vdc)	18 to 30	18 to 30	18 to 30	See Note 1
Excitation Current (mA)	2 to 10	2 to 10	2 to 10	
Bias Voltage (Vdc)	8 to 12	8 to 12	8 to 12	Room Temperature
Output Impedance (Ω)	<100	<100	<100	
Insulation Resistance (MΩ)	>100	>100	>100	@100Vdc
Residual Noise (g RMS)	0.00005	0.0001	0.0003	
Warm-up Time (sec)	<1	<1	<1	
Grounding	Case Isolated, Internally Shielded			

#### ENVIRONMENTAL

Temperature Response (%)	±5	±5	
Operating Temperature (°C)	-55 to +125		
Storage Temperature (°C)	-55 to +125		

#### PHYSICAL

Sensing Element	Ceramic (shear mode)
Case Material	Stainless Steel
Weight (grams)	93
Mounting Torque	24 lb-in (2.7 N-m)

<sup>1</sup> For full dynamic range a minimum compliance voltage of 24Vdc is recommended

<sup>2</sup> LF option offers a low frequency response to 0.1Hz. Available on ±80g and ±500g ranges

<sup>3</sup> Contact factory for Hazardous Area Approval options

<b>Calibration supplied:</b>	CS-FREQ-0100	NIST Traceable Amplitude Calibration from 20Hz to ±10% Frequency Response Limit
<b>Supplied accessories:</b>	AC-A03663	¼-28 to ¼-28 mounting stud
<b>Optional accessories:</b>	316-XXX	Cable Assembly, Straight (XXX designates length in inches, 10ft standard)
	318-XXX	Cable Assembly, 90 Degrees (XXX designates length in inches, 10ft standard)
	AC-D03664	¼-28 to M5 mounting stud
	AC-D03665	¼-28 to M6 mounting stud

The information in this sheet has been carefully reviewed and is believed to be accurate; however, no responsibility is assumed for inaccuracies. Furthermore, this information does not convey to the purchaser of such devices any license under the patent rights to the manufacturer. Measurement Specialties, Inc. reserves the right to make changes without further notice to any product herein. Measurement Specialties, Inc. makes no warranty, representation or guarantee regarding the suitability of its product for any particular purpose, nor does Measurement Specialties, Inc. assume any liability arising out of the application or use of any product or circuit and specifically disclaims any and all liability, including without limitation consequential or incidental damages. Typical parameters can and do vary in different applications. All operating parameters must be validated for each customer application by customer's technical experts. Measurement Specialties, Inc. does not convey any license under its patent rights nor the rights of others.

## ordering info

PART NUMBERING Model Number+Range

801XLF-01-GGG

I | I | \_\_\_\_\_ Range (080 is 80g)

I | \_\_\_\_\_ Low frequency option, otherwise leave blank

I | \_\_\_\_\_ Electrical Connection Option (1 for 2-pin connector, 2 for integral cable)

Example: 8011-01-080

Model 8011-01, 2-pin connector, 80g range

中国

北京赛斯维测控技术有限公司

北京市朝阳区望京西路48号

金隅国际C座1002

电话：+86 010 8477 5646

传真：+86 010 5894 9029

邮箱：[sales@sensorway.cn](mailto:sales@sensorway.cn)